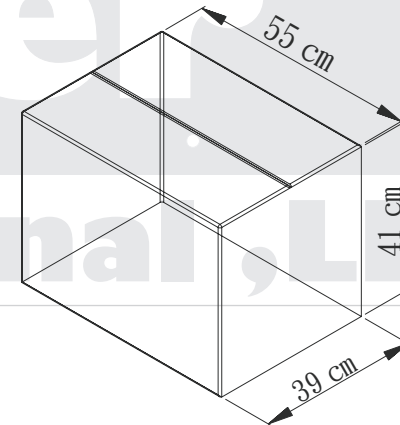


Walter
F&B International ,LLC

Vienna Royal Coffee Maker



Balancing Siphon	Model: CF430(S,G)
Size of product	25cm * 11.7cm * 35.5cm
Weight	Net weight 2.4Kg
Size per pack	27cm*12cm*36.5cm (Specialty box)
Weight per pack	Gross Weight:2.9Kg
Capacity	450cc(3to 4 Cups)
Material	◎SUS304 Stainless Steel◎Glasses◎Wood
Accessories	◎Walter measuring cupx1◎Cloth filterx2◎Coffee bean measuring spoonx1



Balancing Siphon CF-430 Size of box	
Size of box	55cm*39 cm *41 cm(6sets per box)
Weight per box	Gross weight 18.6Kg