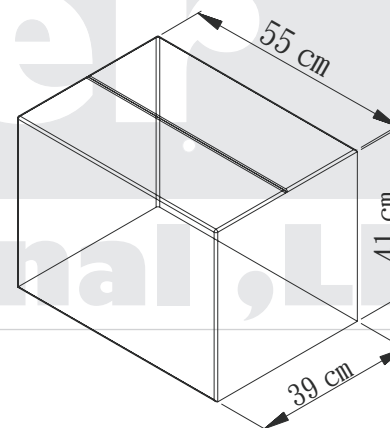


Walter
F&B International ,LLC

Vienna Royal Coffee Maker



Balancing Siphon (Handmade)		Model: CF500(S,G)
Product size	25cm * 11.7cm * 35.5cm	
Weight	Net Weight 2.7Kg	
Size per pack	27cm*12cm*36.5cm (Specialty box)	
Weight per pack	Gross Weight :3.2Kg	
Capacity	450cc(3 to 4 cups)	
Material	©SUS304Stainless Steel©Glasses©Wood	
Accessories	©Water measuring cup x1©Cloth Filter x2©Coffee measuring spoon x1	



Balancing Siphon (Handmade) CF-500 Size of Box	
Size of Box	55cm*39 cm *41 cm(6 sets per box)
Weight of box	Gross weight 20.4Kg