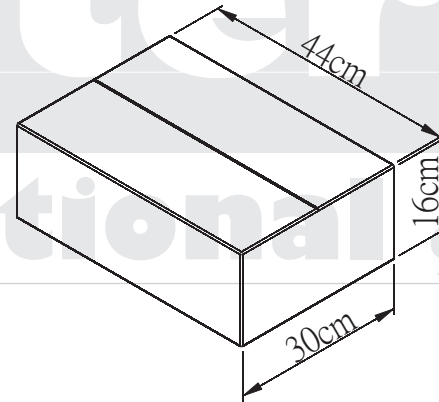
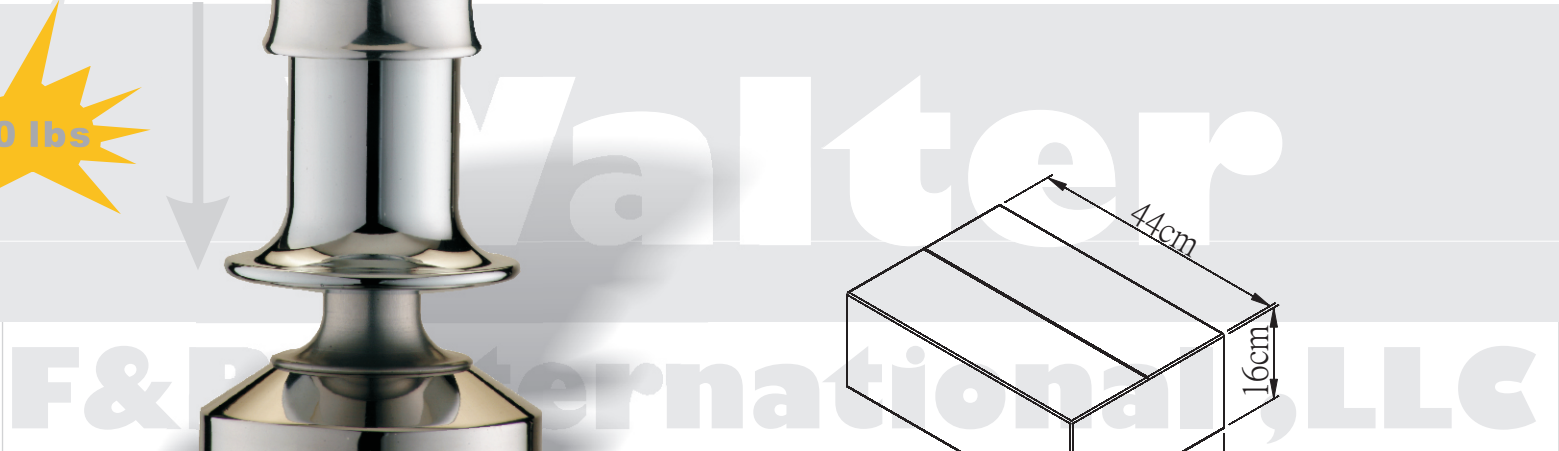


**Walter**  
F&B International ,LLC

SUS304  
Stainless Steel



Standardized Tamper		Model:ST-868
Product Size	113mm * 58mm	
Weight	Net Weight 650g(Weight might different by the base size.)	
Package size per unit	67 mm *135 mm	
Package weight per unit	Gross Weight: 690g(Weight might different by the base size.)	
Material	☉SUS304Stainless Steel☉Aluminum☉	
Sizes of tamper base	☉58☉57☉56☉55☉54☉53mm (Flat & Convex)	



**Standardized Tamper**

Standardized Tamper ST-868 Size of Case	
Case measurement	44cm*30cm *16cm (24units per case)
Weight per case	Gross Weight :17.6Kg

WALTER F&B INTERNATIONAL , LLC  
WWW.WALTERILLC.COM

